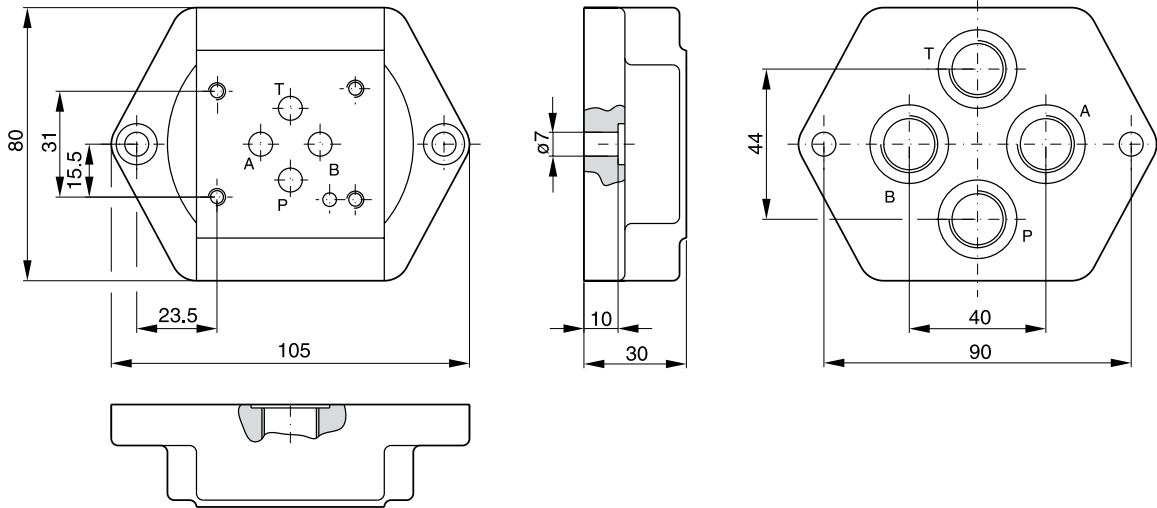
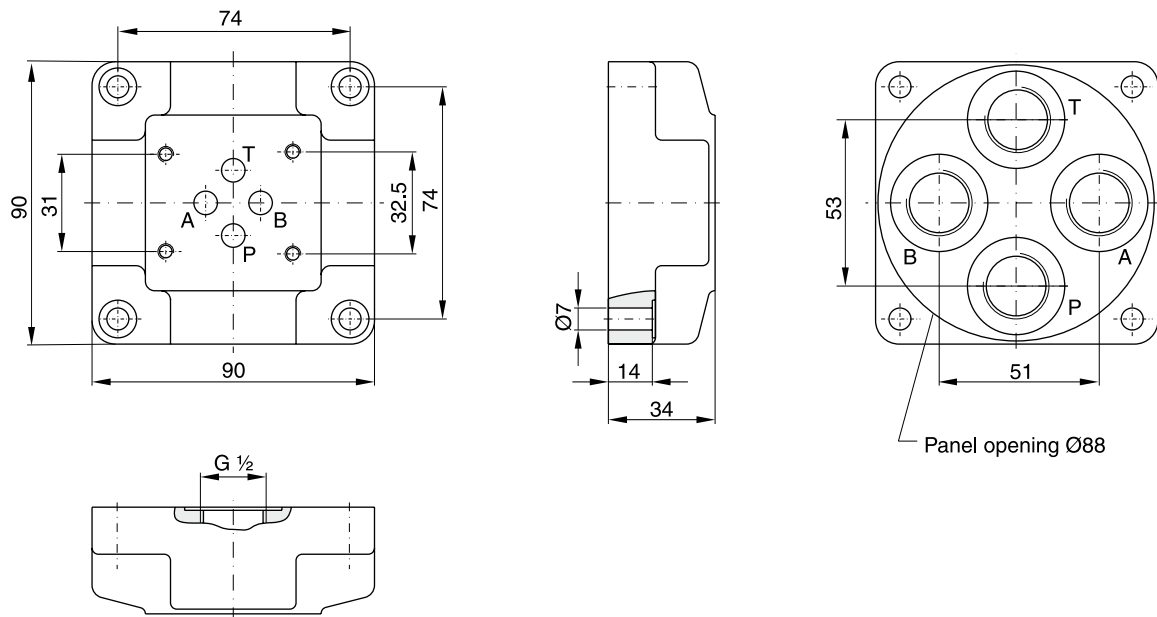


Valve size DIN NG06, CETOP 03, NFPA D03



Ordering code	
SPD 22 B 910	P, A, B and T = G ¼
SPD 23 B 910	P, A, B and T = G ⅜

Valve size DIN NG06, CETOP 03, NFPA D03



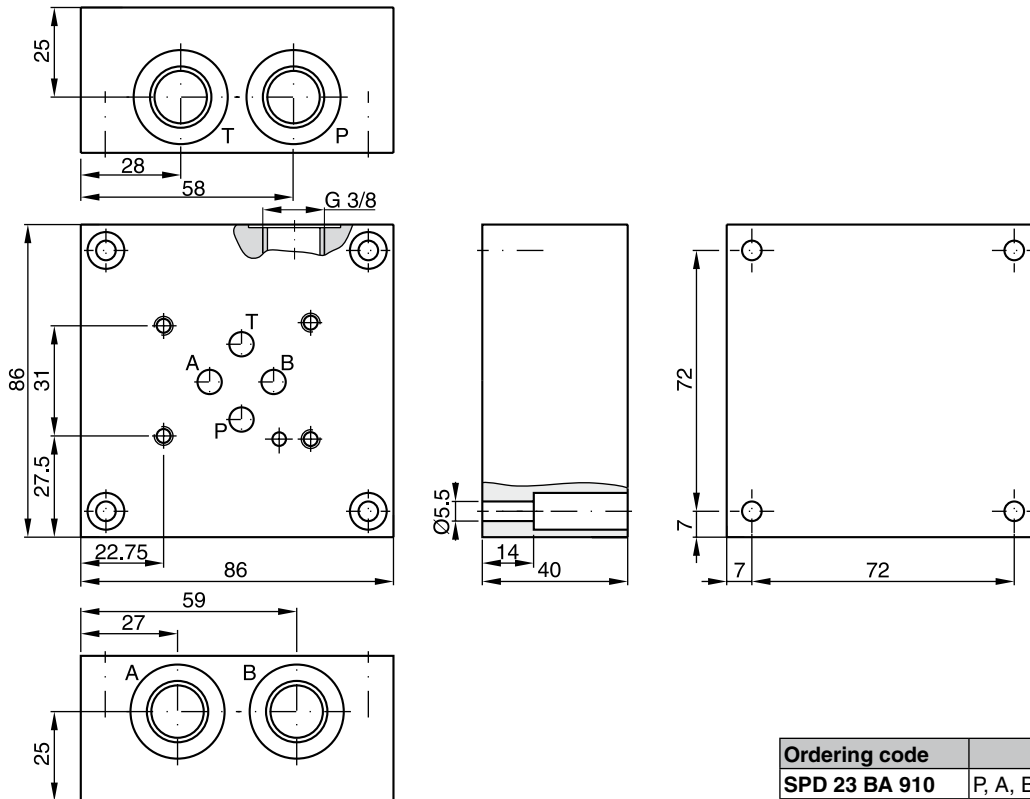
Bold letters =
Short-term availability

Ordering code	
SPD 24 B 910	P, A, B and T = G ½

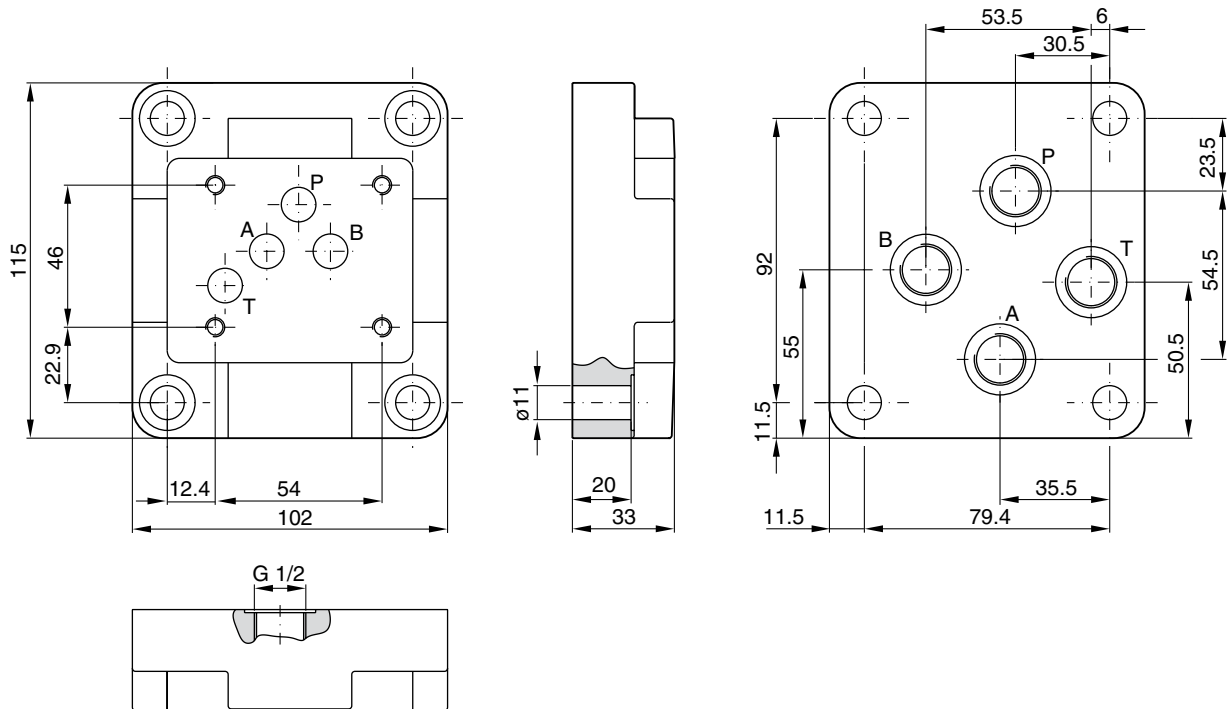


12

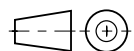
Valve size DIN NG06, CETOP 03, NFPA D03



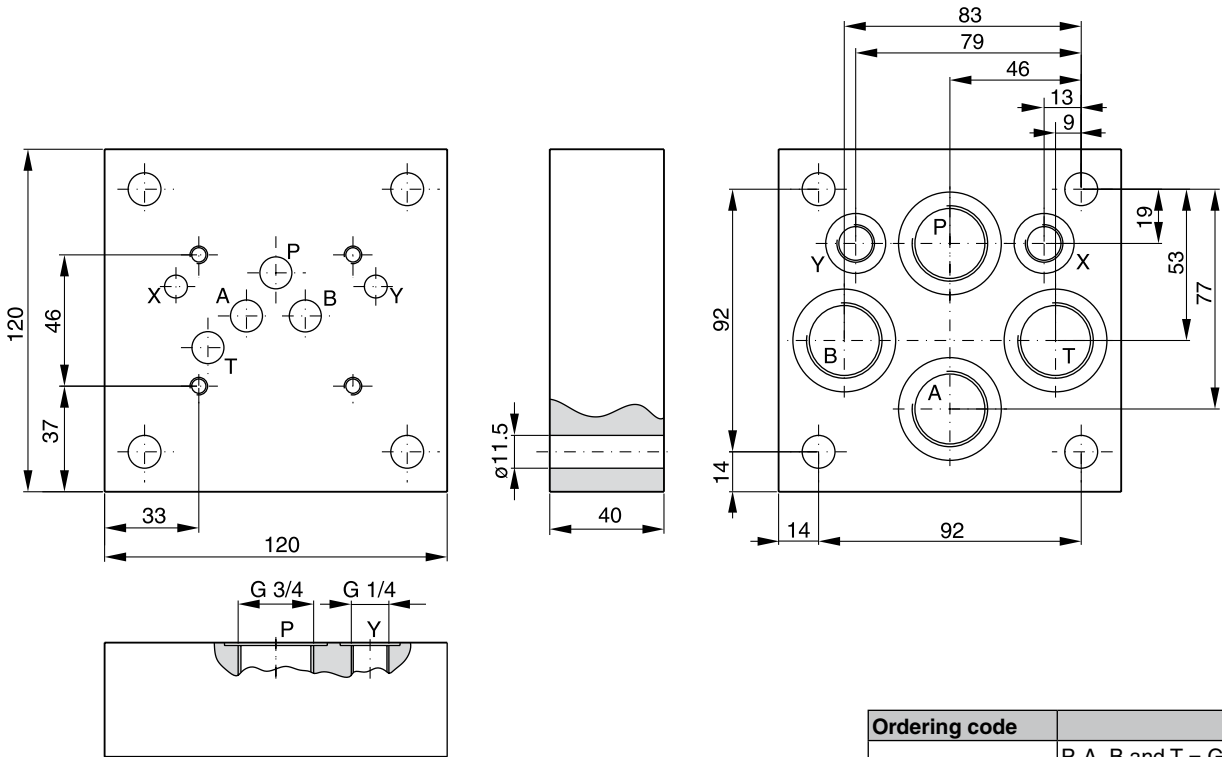
Valve size DIN NG10, CETOP 05, NFPA D05



**Bold letters =
Short-term availability**

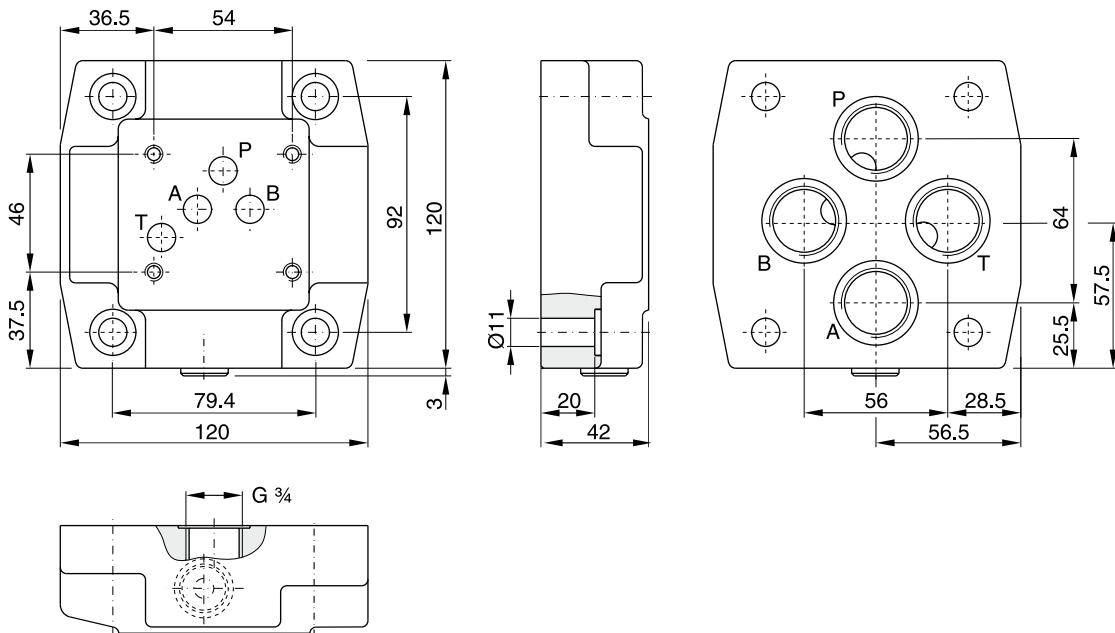


Valve size DIN NG10, CETOP 05, NFPA D05



Ordering code	
SPD 316 B 960	P, A, B and T = G 3/4 X and Y = G 1/4

Valve size DIN NG10, CETOP 05, NFPA D05

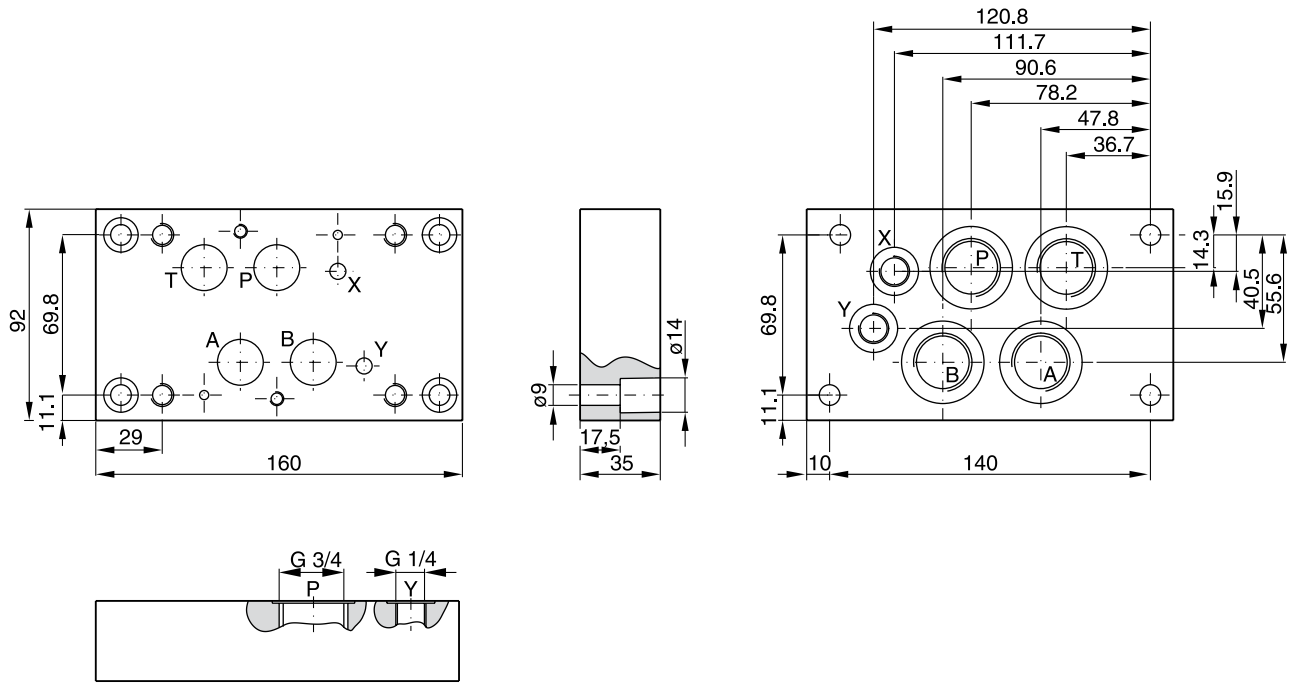


Ordering code	
SPD 36 B 920	P, A, B and T = G 3/4

Bold letters =
Short-term availability

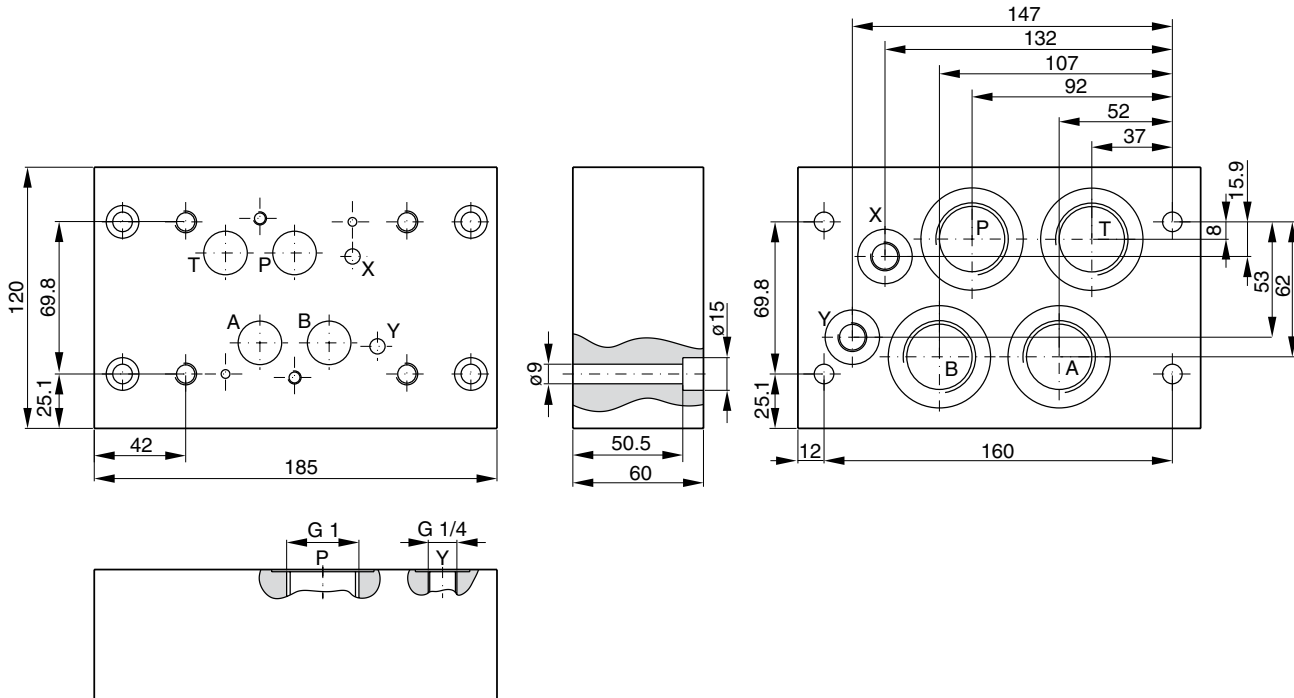


Valve size DIN NG16, CETOP 07, NFPA D07



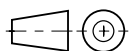
Ordering code	
SPD 46 B 910	P, A, B and T = G ¾ X and Y = G ¼

Valve size DIN NG16, CETOP 07, NFPA D07

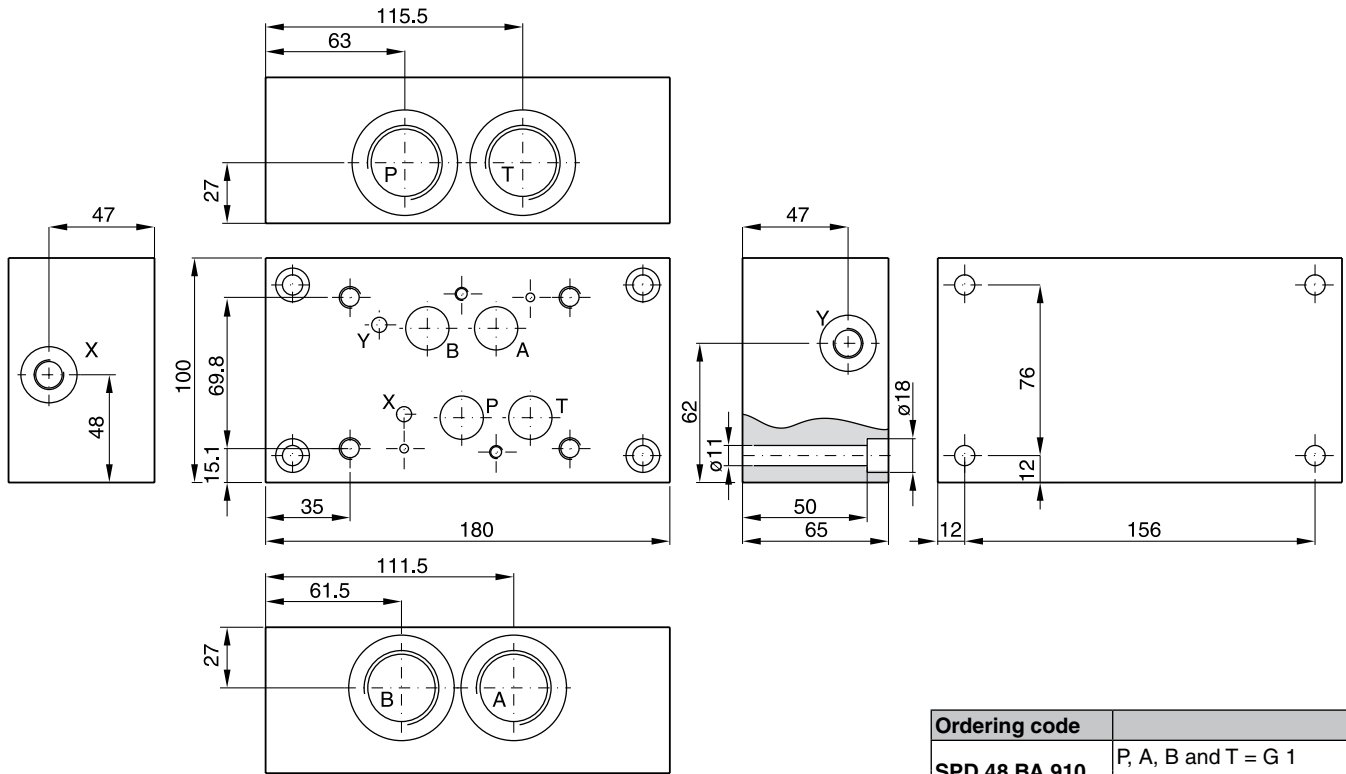


Ordering code	
SPD 48 B 910	P, A, B and T = G 1 X and Y = G ¼

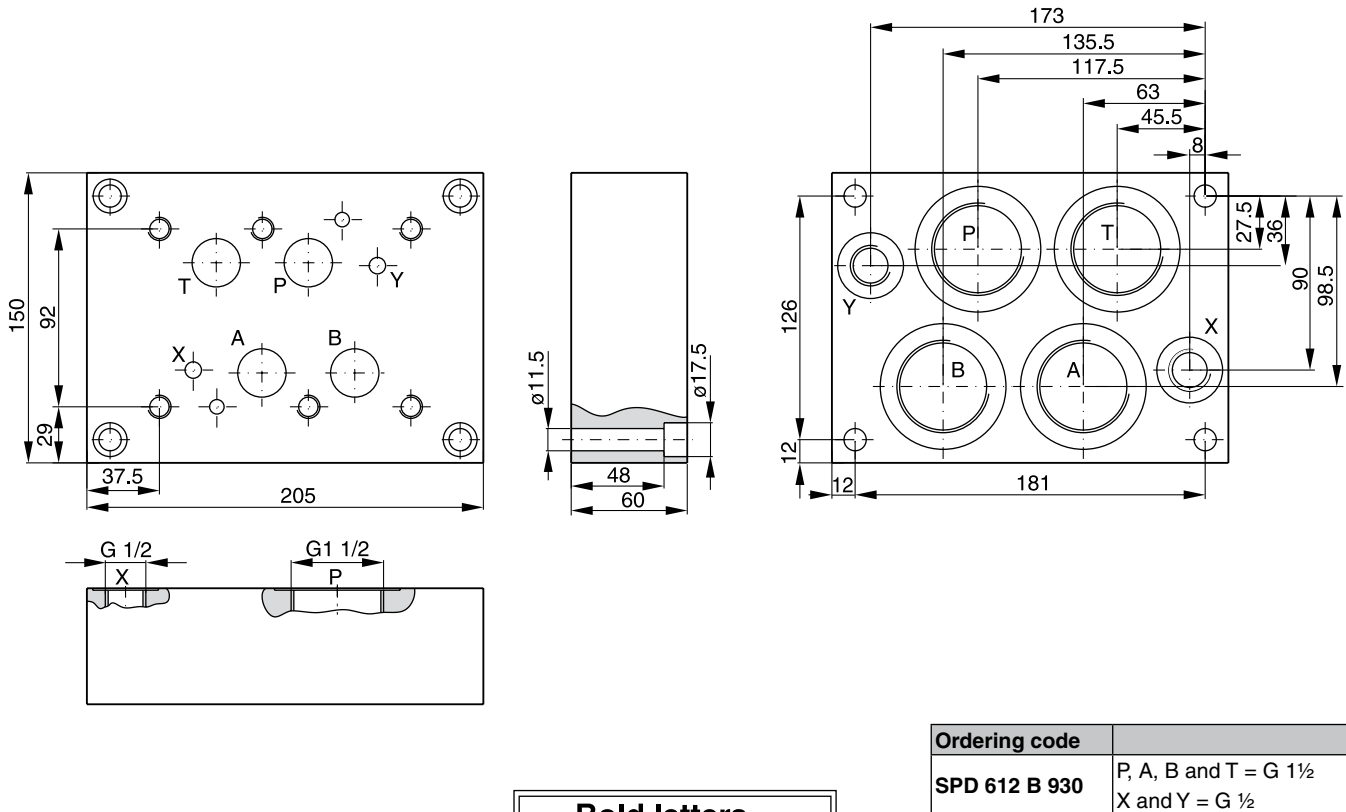
Bold letters =
 Short-term availability



Valve size DIN NG16, CETOP 07, NFPA D07



Valve size DIN NG25, CETOP 08, NFPA D08



Bold letters =
Short-term availability

