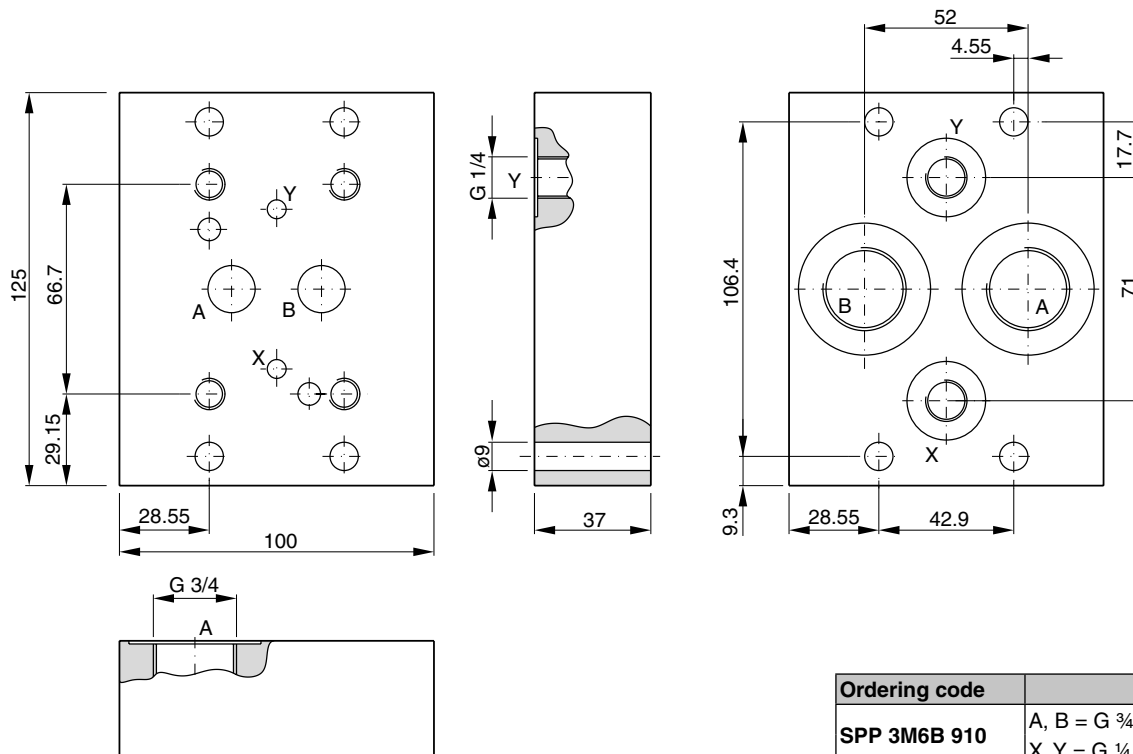
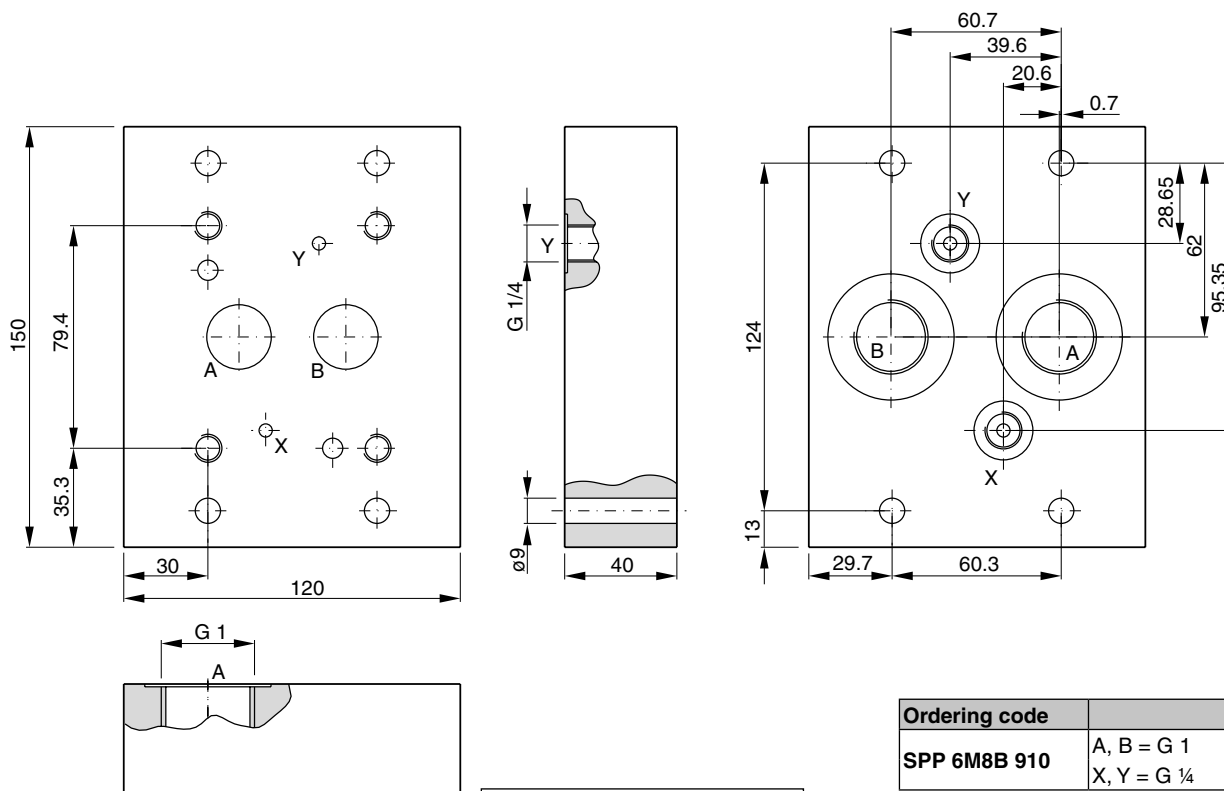


Valve size DIN NG10, ISO 6264-06-07-* -97, DIN 24340 form D / ISO 5781-06-07-0-00



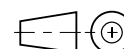
Ordering code	
SPP 3M6B 910	A, B = G 3/4 X, Y = G 1/4

Valve size DIN NG25, ISO 6264-08-11-* -97, DIN 24340 form D / ISO 5781-08-10-0-00

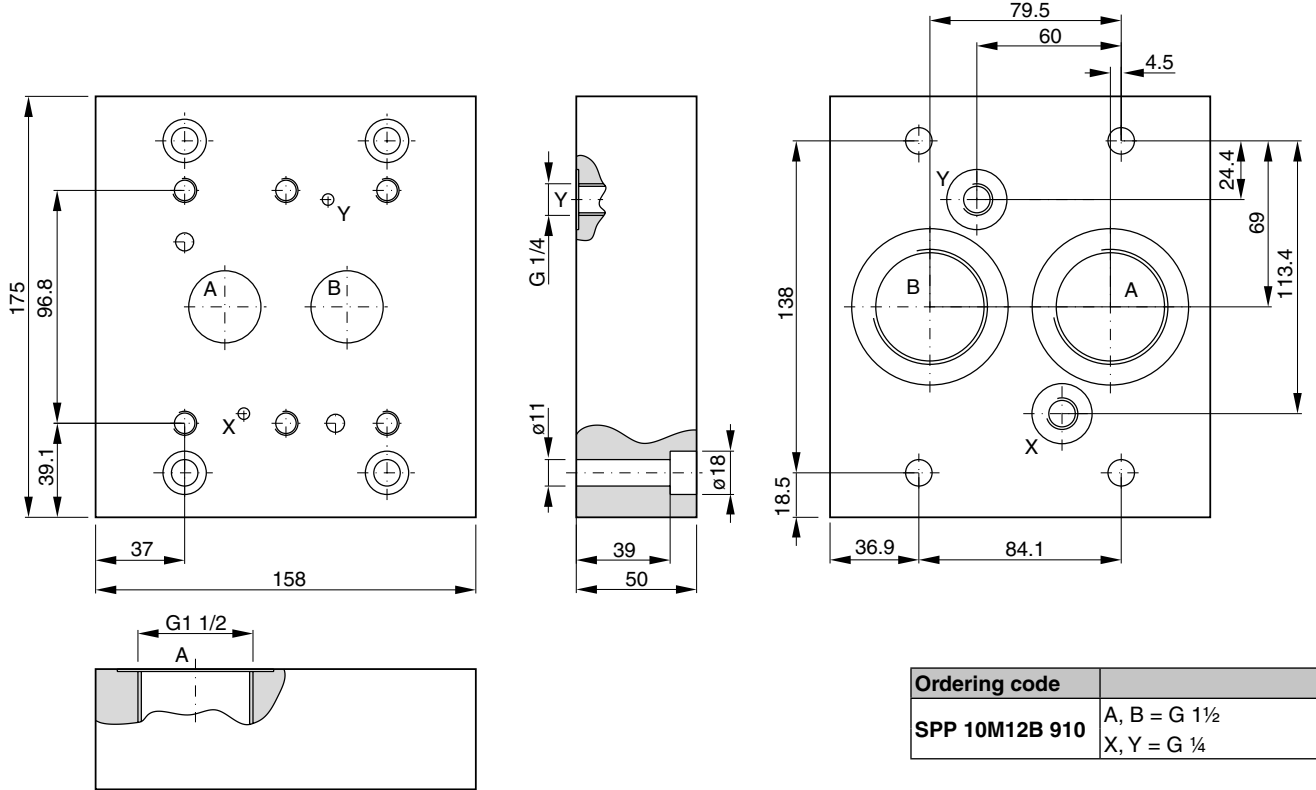


Ordering code	
SPP 6M8B 910	A, B = G 1 X, Y = G 1/4

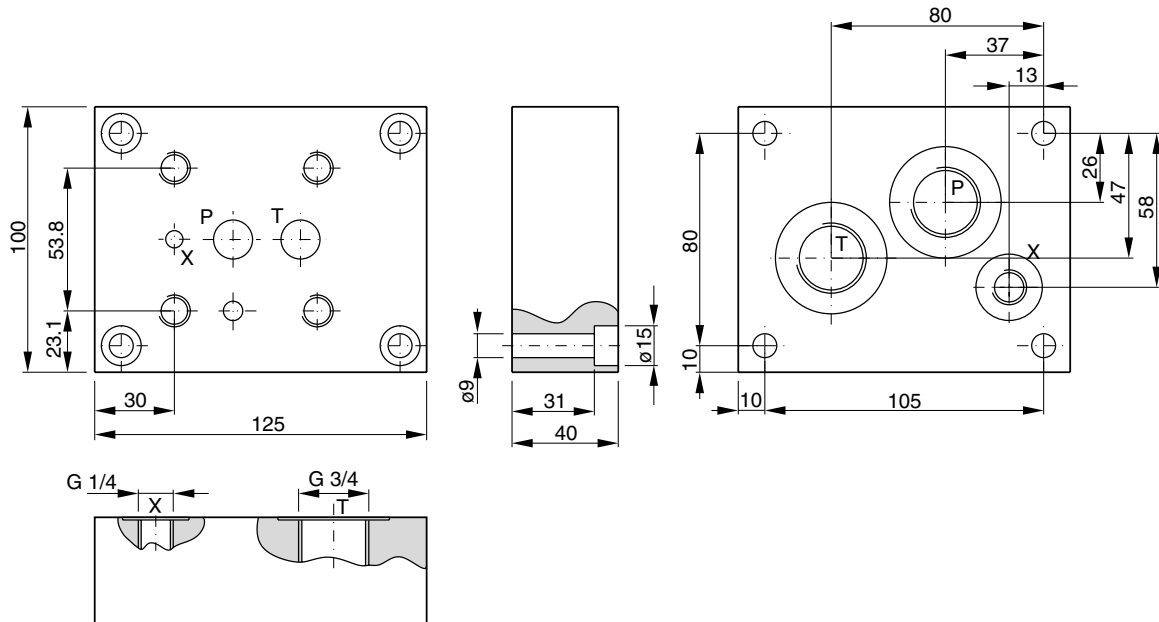
Bold letters =
Short-term availability



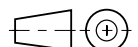
Valve size DIN NG32, ISO 6264-10-15-* -97, DIN 24340 form D / ISO 5781-10-13-0-00



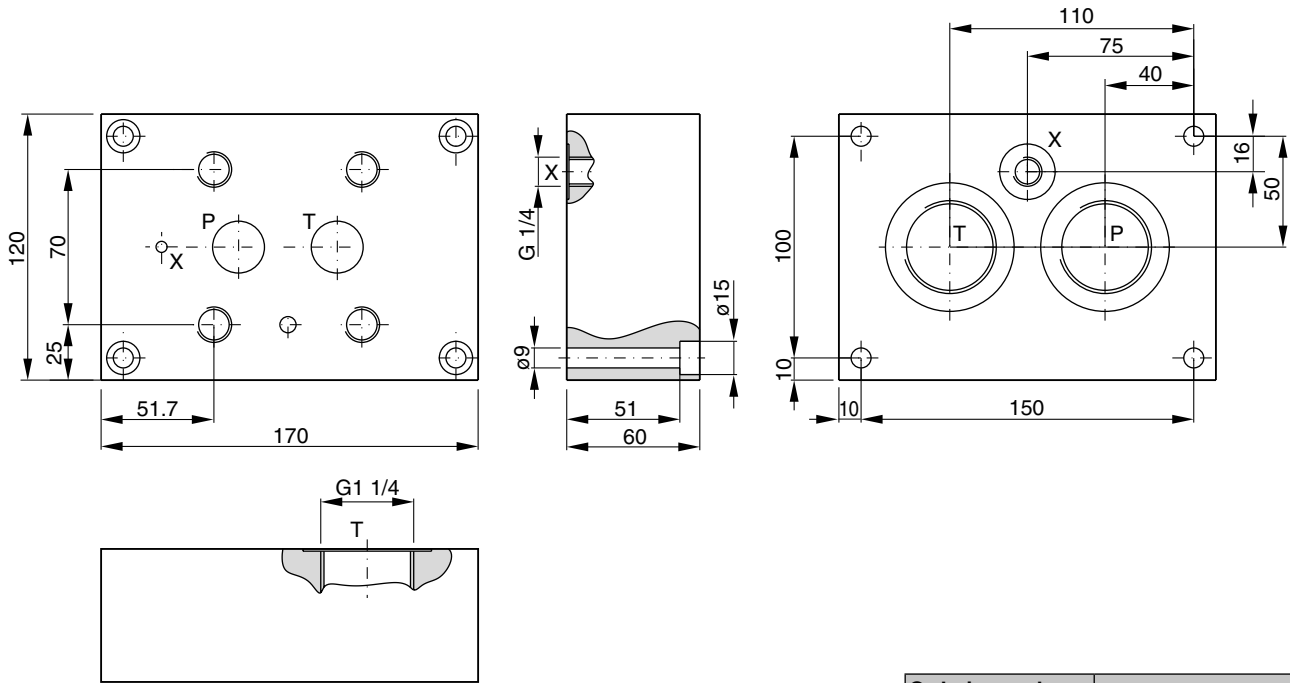
Valve size DIN NG10, ISO 6264-06-09-* -97, DIN 24340 form E



Bold letters =
Short-term availability

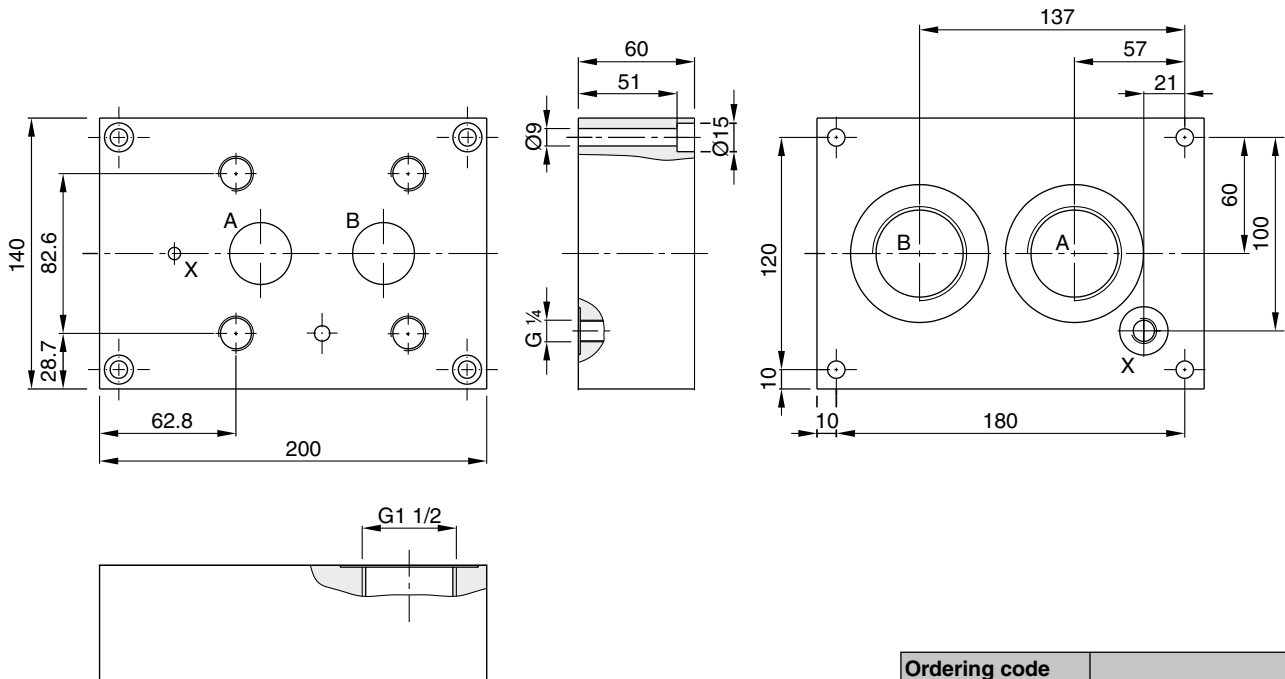


Valve size DIN NG25, ISO 6264-08-13-* -97, DIN 24340 form E



Ordering code	
SPP 6R10B 910	P, T = G 1/4 X = G 1/4

Valve size DIN NG32, ISO 6264-10-17-* -97, DIN 24340 form E



Ordering code	
SPP 10R12B 910	A, B = G 1/2 X = G 1/4

Bold letters =
Short-term availability

