

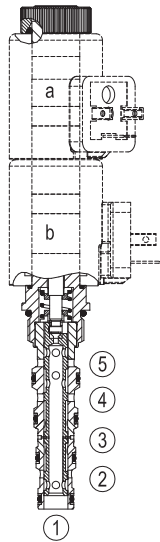
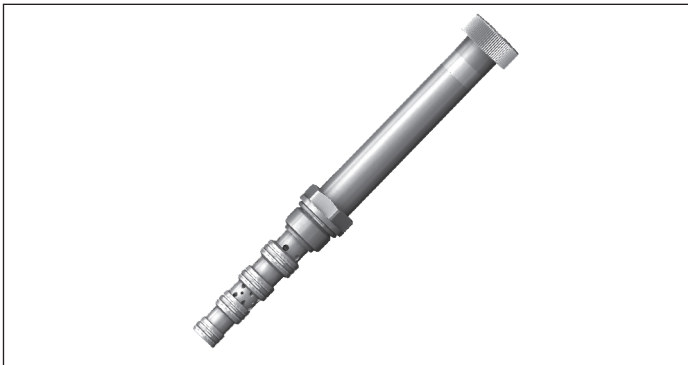
Solenoid operated valves direct acting spool
5-way 3-position
Common cavity, Size 10

VEDS-10A-53

OD.53 - X - 54 - KK2 - Y - 00

RE 18324-65

Edition: 05.2016

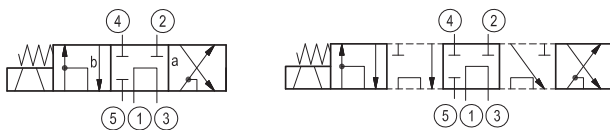


Technical data

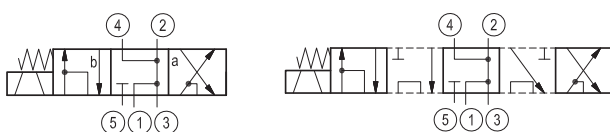
General	
Weight (with coils)	0.85 kg (1.87 lbs)
Installation position	Any
Ambient temperature range	-40 to 110 °C (-40 to 230 °F)
Salt spray test to DIN 50021	720 h
Hydraulic	
Max. operating pressure	250 bar (3625 psi)
Max. flow	25 l/min. (7 gpm)
Max. internal leakage	< 60 ml/min. (with $\Delta p=250$ bar; HLP46, $T_{oil} = 40^{\circ}C$)
Fluid temperature range	-40 to 80 °C (-40 to 176 °F)
Fluids: Mineral-based or synthetics with lubricating properties at viscosities of 5 to 1000 mm ² /s (preferably 10 to 100 mm ² /s)	
Recommended degree of fluid contamination	Nominal value max. 10µm (NAS 8) ISO 4406 19/17/14
Cavity	CA-10A-5N see 18325-75
Seal kit	material no. R961005837
Load cycles	2 Mio.
Electrical	
Type of voltage	DC voltage
Coil type	GZ37 see 18325-90

Note: coils must be ordered separately.

▼ **Version 10**



▼ **Version 20**



- ① LS
- ② A
- ③ T
- ④ B
- ⑤ P

Ordering code

OD53	X	54	KK2	Y	0	0
-------------	----------	-----------	------------	----------	----------	----------

Solenoid operated valves direct acting spool
5-way 3-position

Version **10**
Version **20**

without manual override **0**
with pull/push manual override **1**

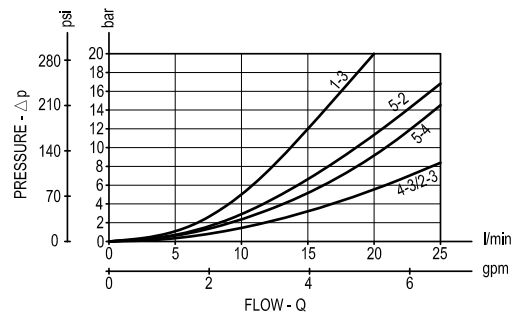
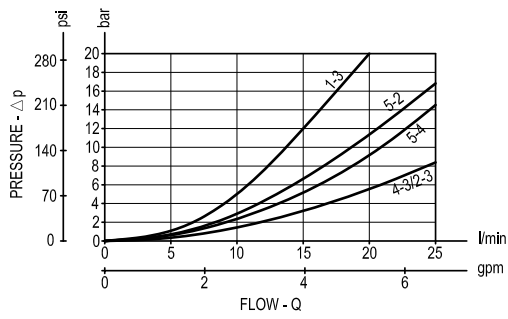
Preferred types

Type	Material number
OD531054KK2000	R901274118
OD532054KK2000	R901274117

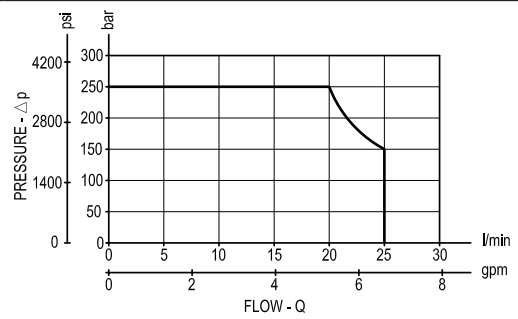
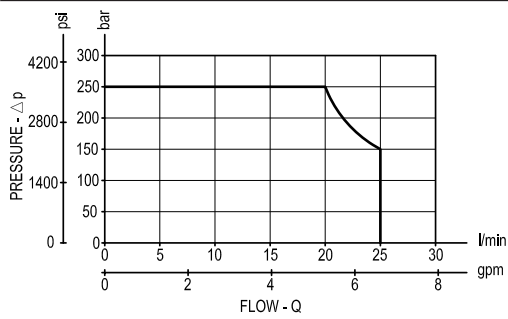
Type	Material number
OD531054KK2100	R901300057
OD532054KK2100	R901300059

Characteristic curves

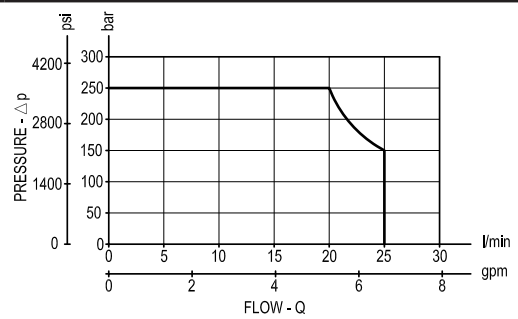
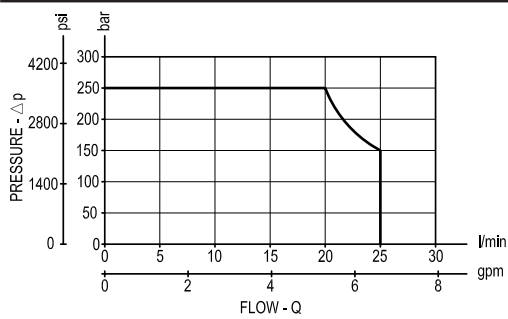
Version 10 Version 20



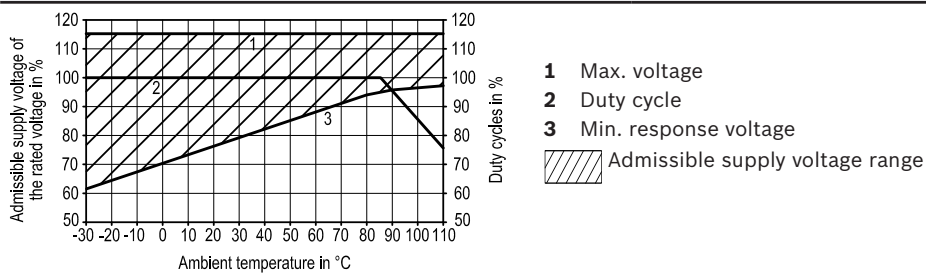
Version 10 - Limits of performance Version 20 - Limits of performance

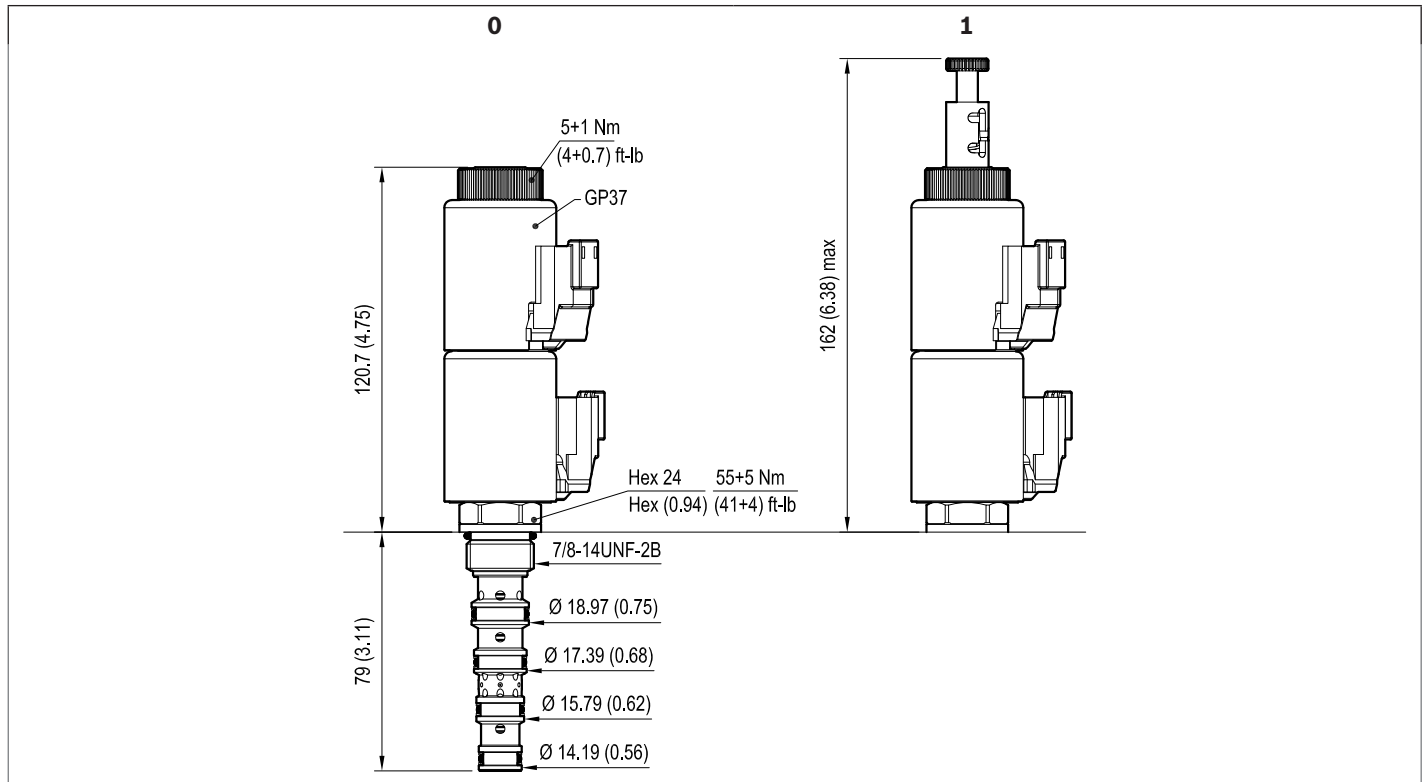


Version 10 - Limits of performance Version 20 - Limits of performance



Voltage range and duty cycle depending on the ambient temperature



Dimensions▼ **Solenoid operated valves direct acting spool 5-way 3-position****Bosch Rexroth Oil Control S.p.A.**

Via Leonardo da Vinci 5
P.O. Box no. 5
41015 Nonantola – Modena, Italy
Tel. +39 059 887 611
Fax +39 059 547 848
compact-hydraulics-cv@boschrexroth.com
www.boschrexroth.com/compacthydraulics

© This document, as well as the data, specifications and other information set forth in it, are the exclusive property of Bosch Rexroth Oil Control S.p.a.. It may not be reproduced or given to third parties without its consent. The data specified above only serve to describe the product. No statements concerning a certain condition or suitability for a certain application can be derived from our information. The information given does not release the user from the obligation of own judgment and verification. It must be remembered that our products are subject to a natural process of wear and aging. Subject to change.